

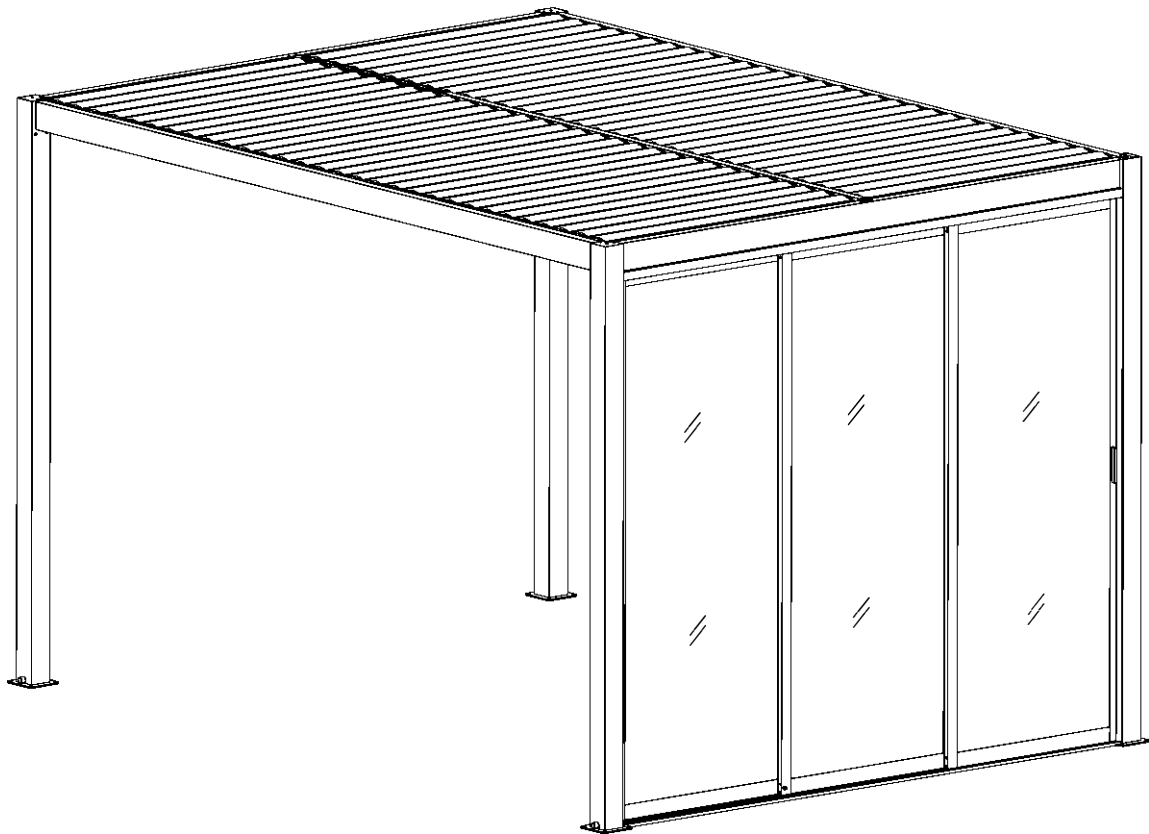
**DANCOVER<sup>®</sup>**

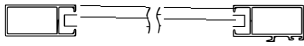
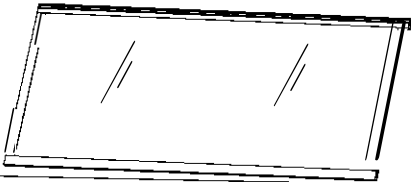
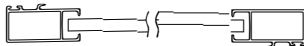
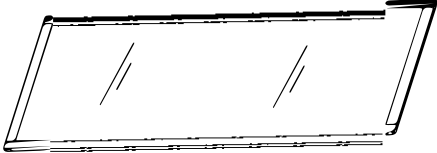
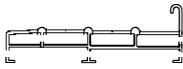



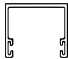
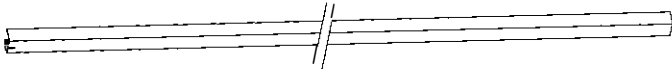
**.com**


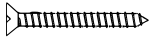





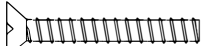
Manual  
for  
Sliding Door Set  
for  
Pergola Gazebo San Pablo


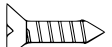
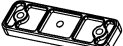


# Installation Instructions of Moving Glass Door

User's manual



REF	PHOTO		QTY
(A)			2PCS
(B)			1PCS
(C)			1PCS
(D)			1PCS
(E)			2PCS

	REF	PHOTO	QTY
I	(F)		270CM: 3 pcs 370CM: 4 pcs
	(G)	 ST5*60	270CM: 3 pcs 370CM: 4 pcs
II	(H)	 ST4. 2*25	270CM: 9 pcs 370CM: 10 pcs
III	(I)		6PCS
	(J)	 ST4*19	6PCS
IV	(K)		2PCS
	(L)		2PCS
	(M)	 M4*45	4PCS

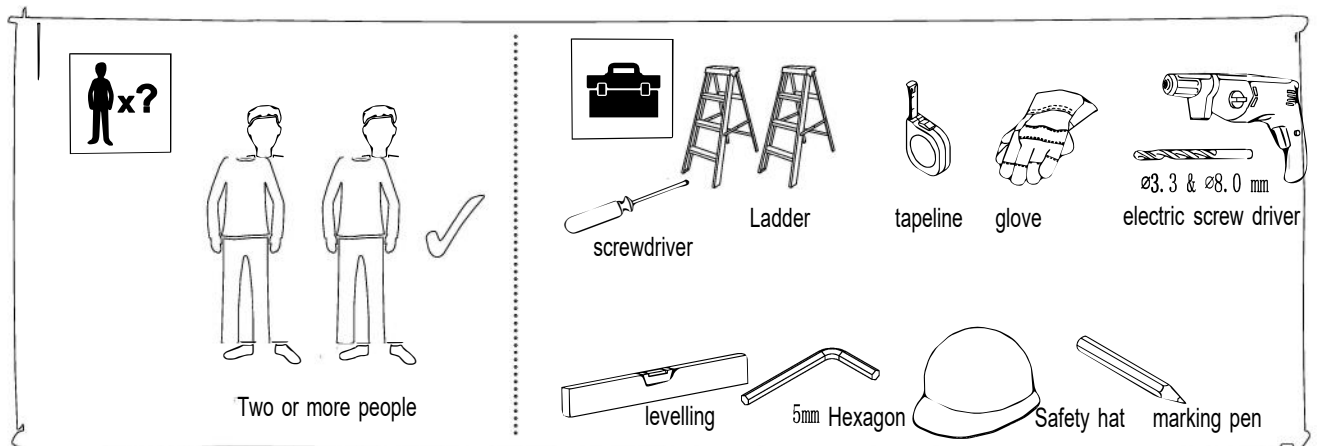
	REF	PHOTO	QTY
V	(N)	 ST4*18	4PCS
	(O)	 ST4*10	4PCS
	(P)		2PCS
	(Q)		2PCS
	(R)		2PCS

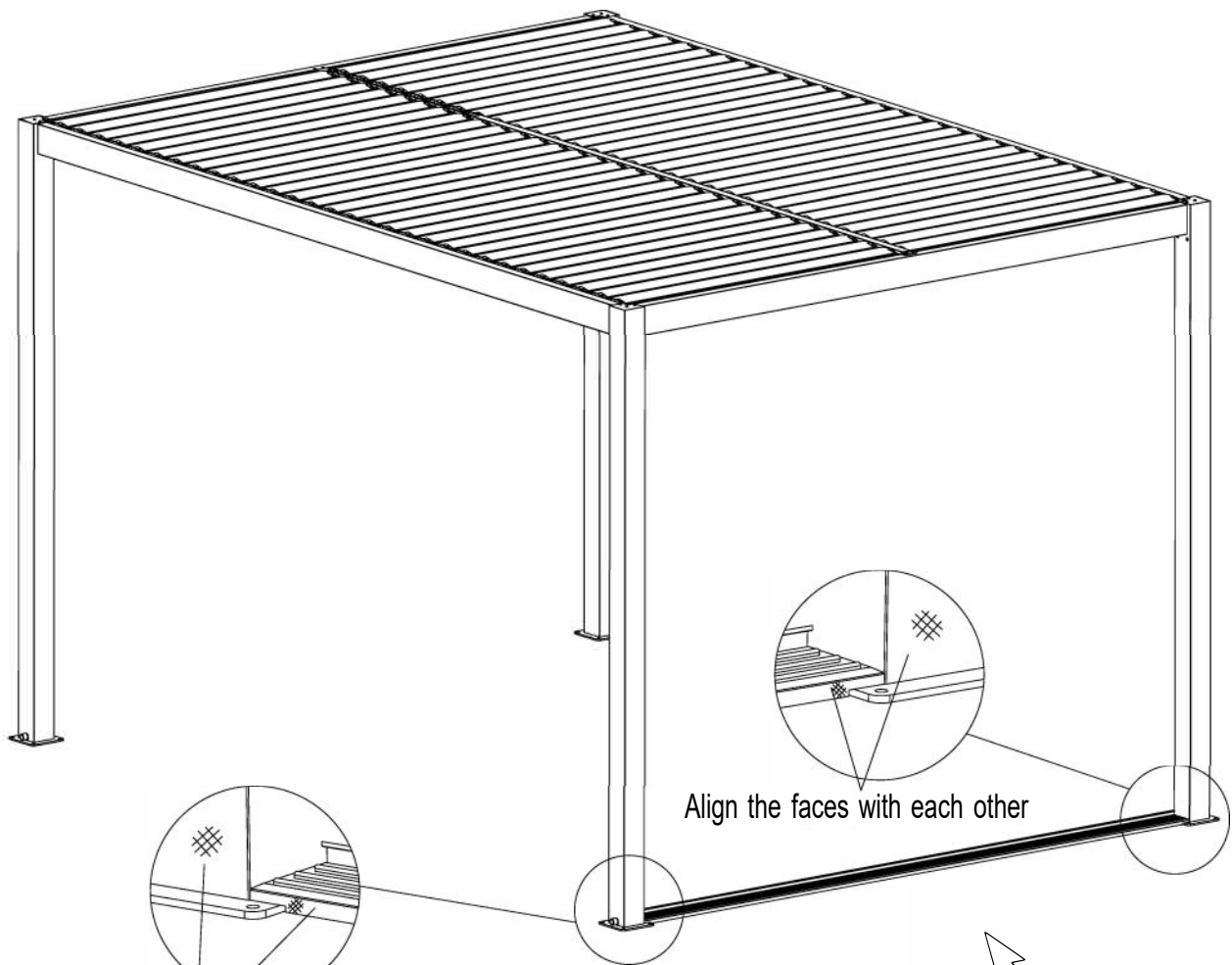
# Safety instructions

When installing, be sure to wear safety gloves and goggles to prevent possible injuries.

Please ensure that there are no debris or obstacles around the installation site to avoid affecting the installation process and usage effectiveness. This product is made of glass. Please handle it with care to avoid collision and falling, in order to avoid damage or injury.

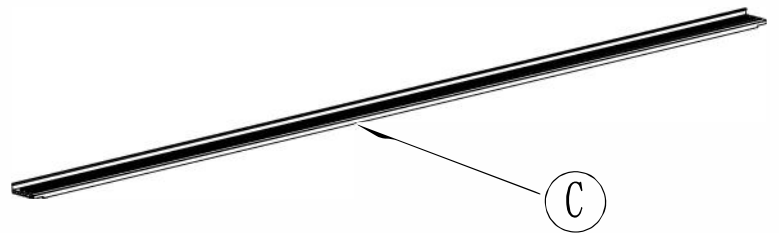
## What you need?





Align the faces with each other

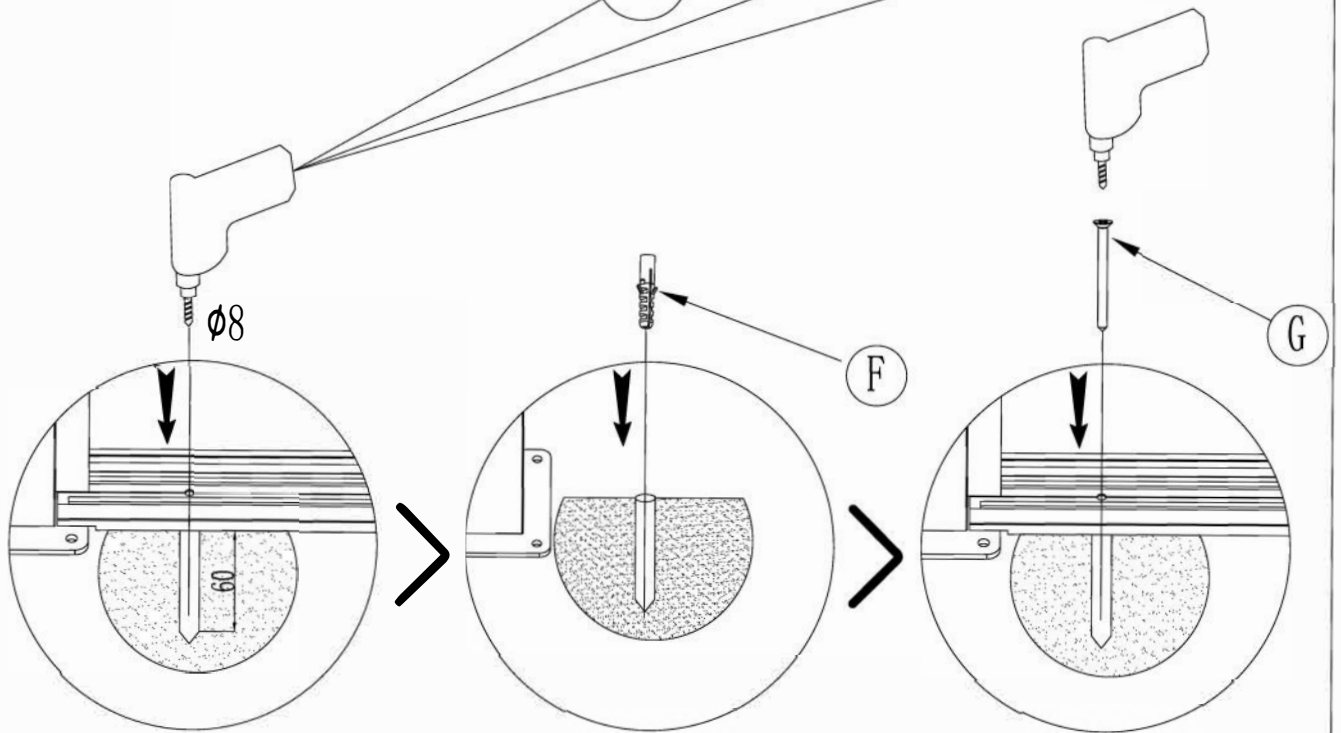
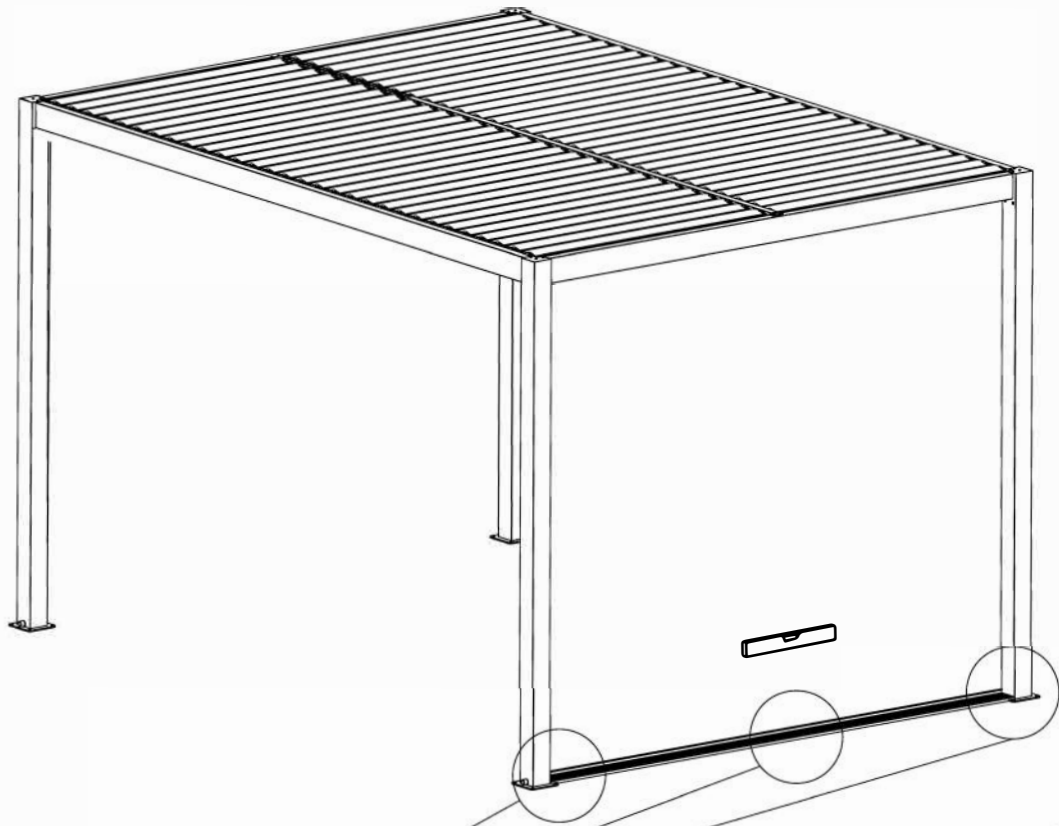
Align the faces with each other



C



1 PCS



step 1

step 2

step 3

F

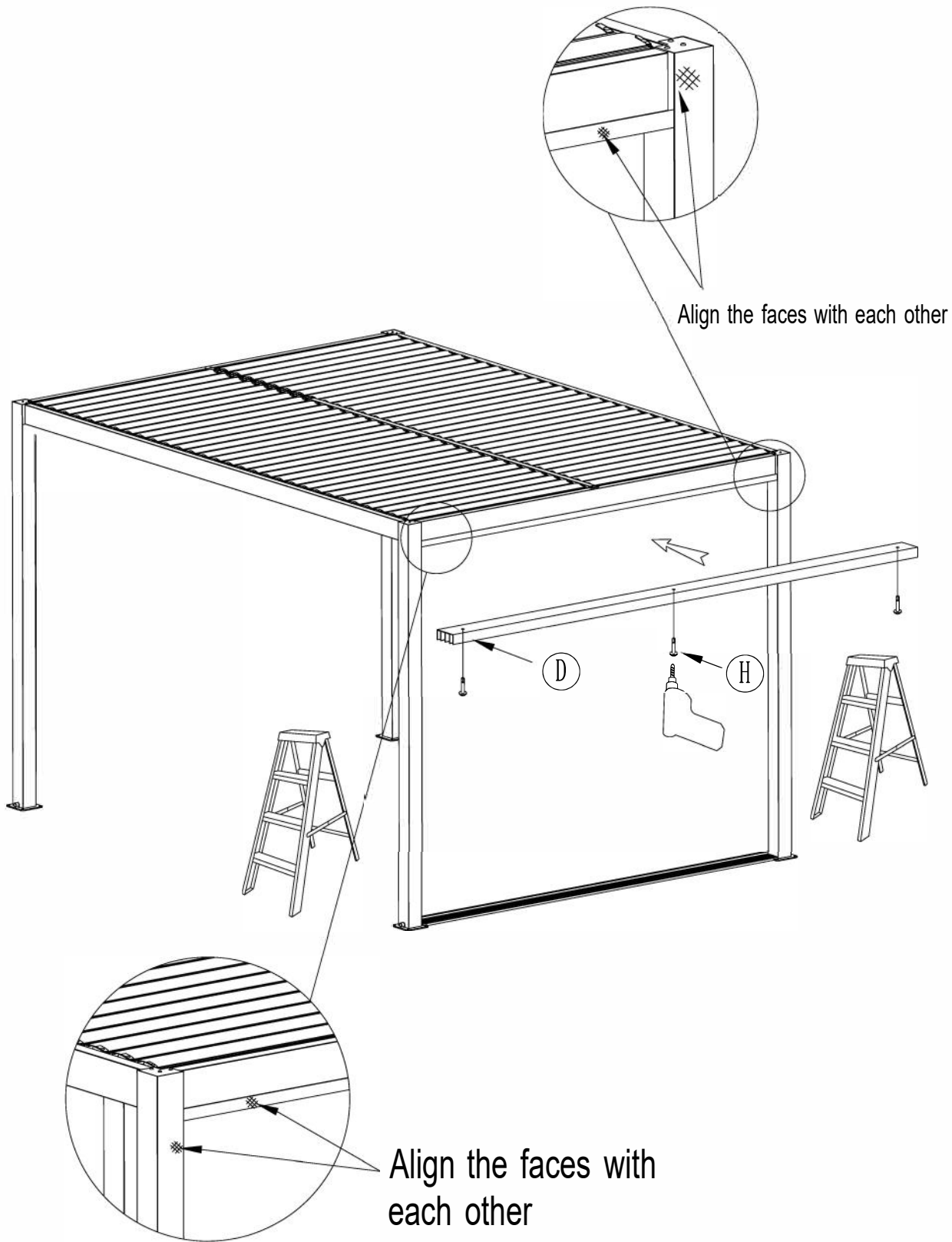


270CM: 3 pcs  
370CM: 4 pcs

G



270CM: 3 pcs  
370CM: 4 pcs



D

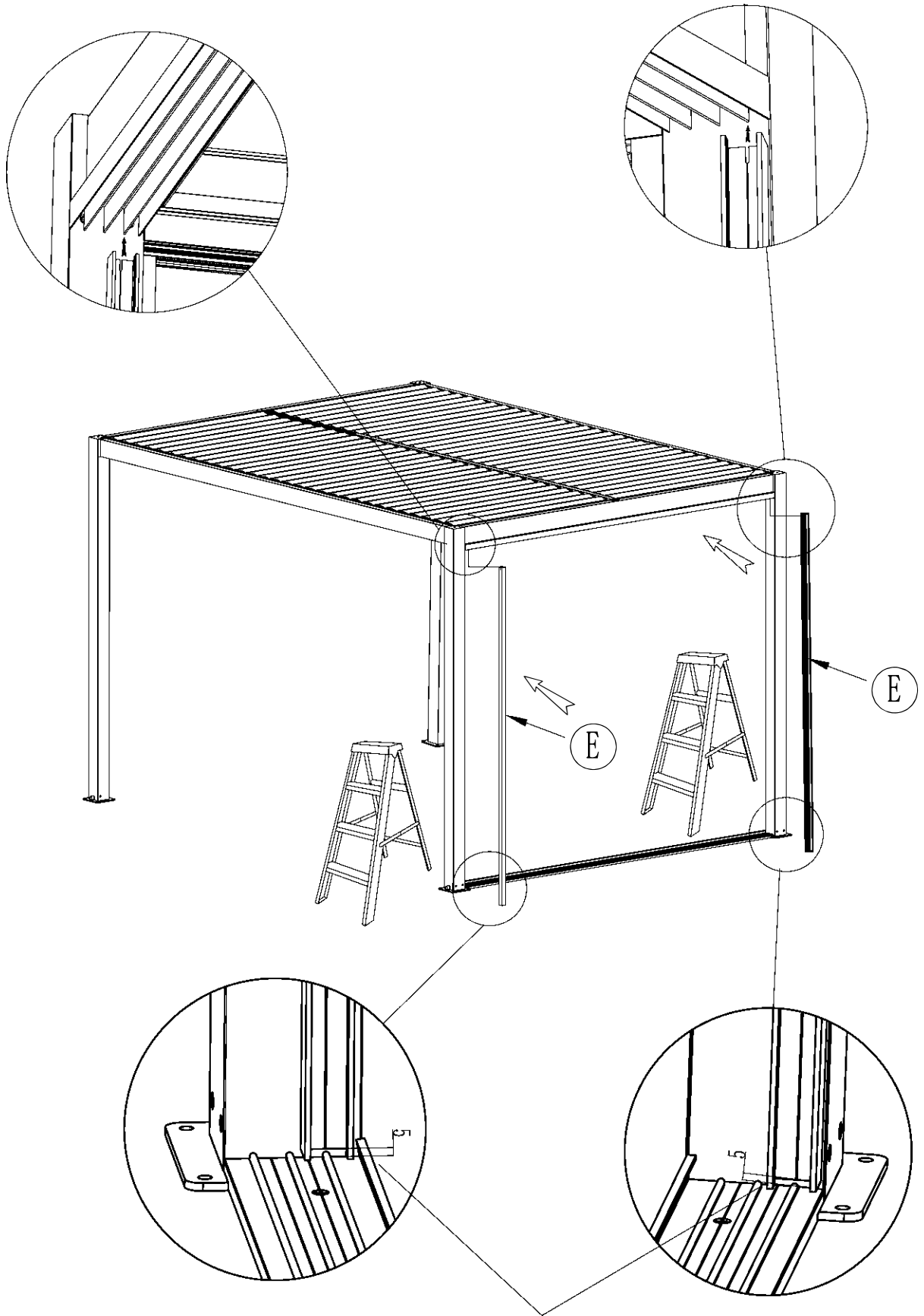


1PCS

H



270CM: 3 pcs  
370CM: 4 pcs



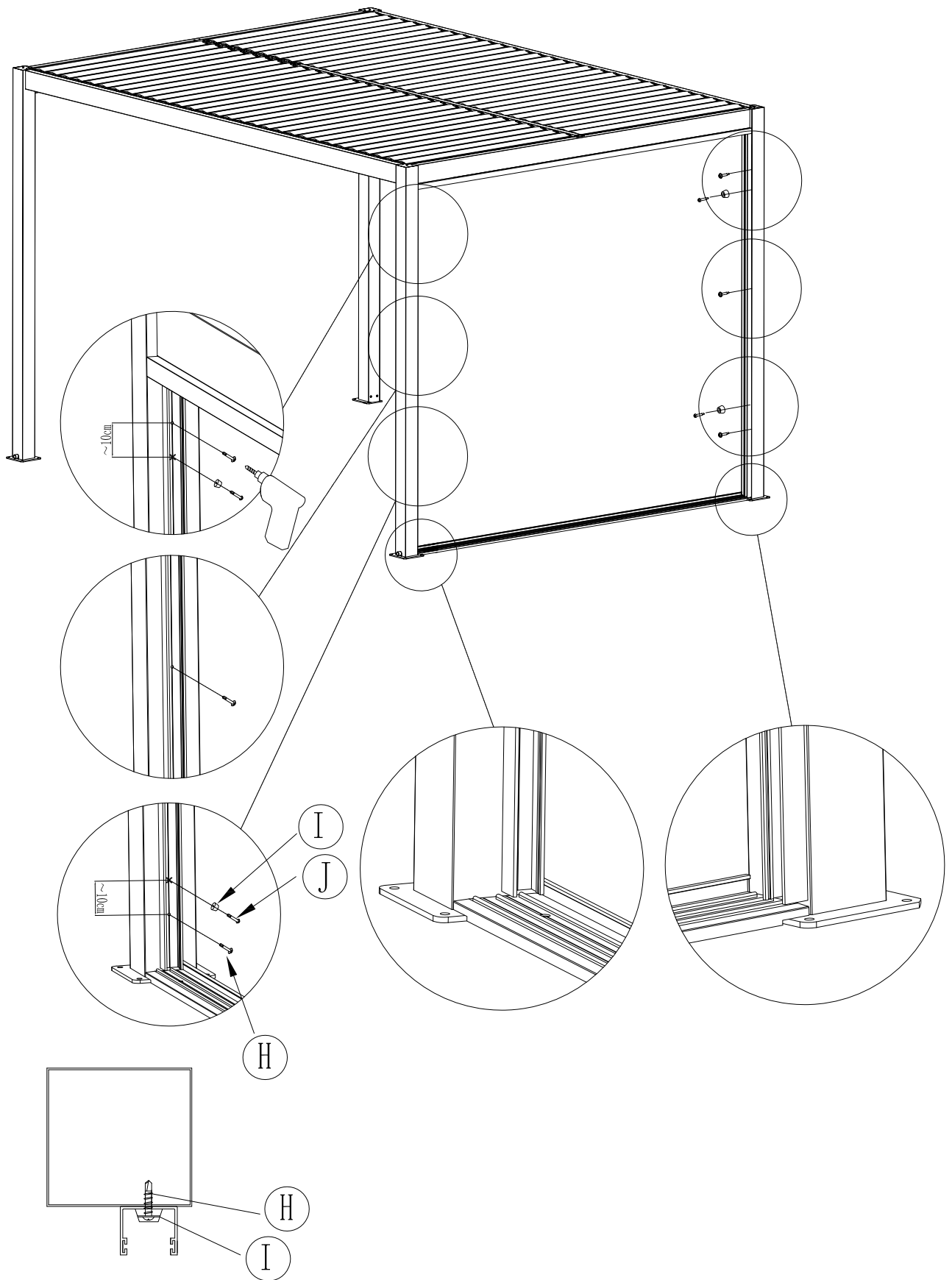
Reserve 5mm at the bottom of the side track for drainage

E

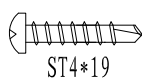


2PCS





H



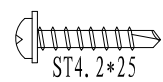
4PCS

I

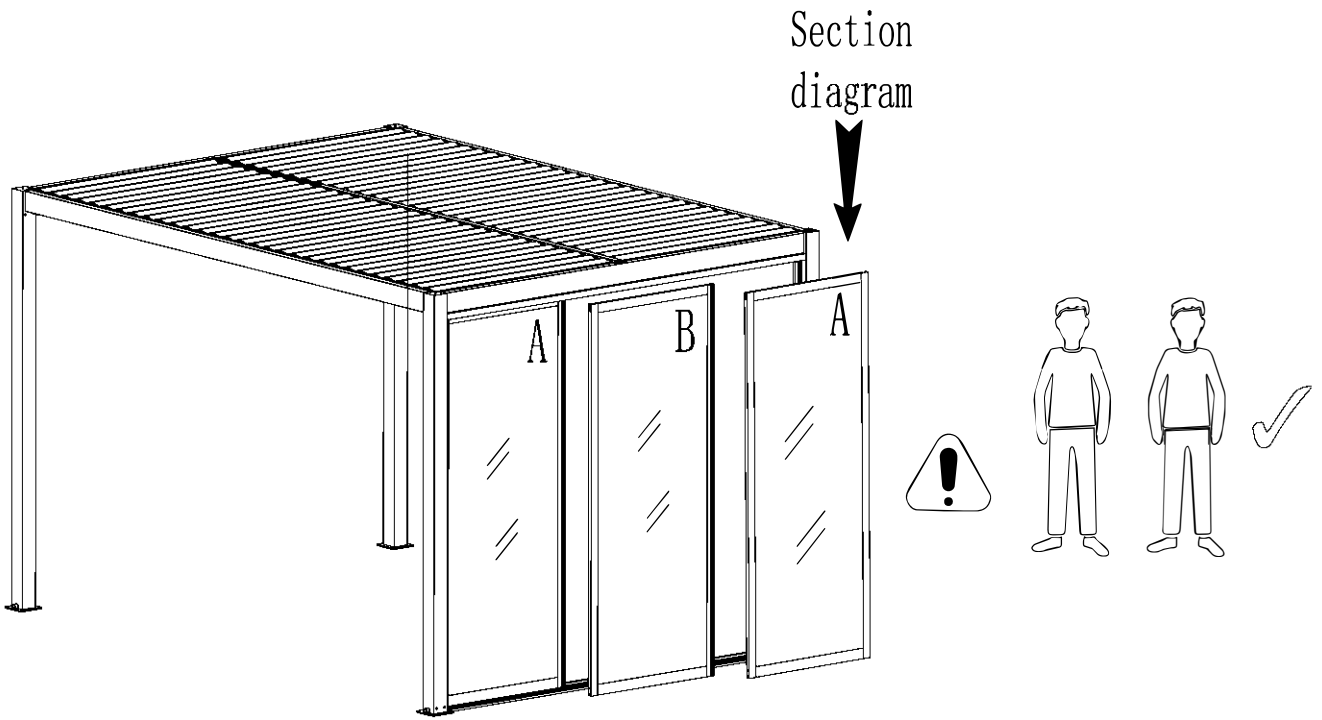


4PCS

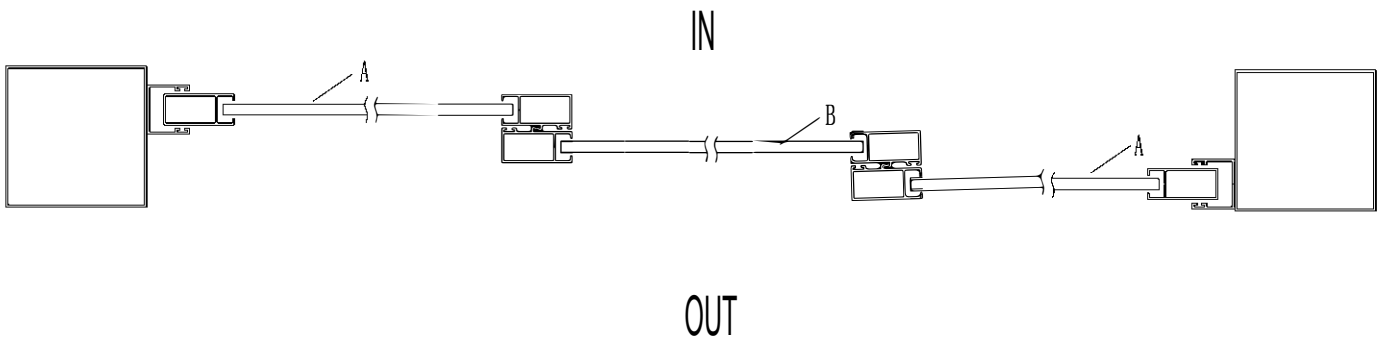
J



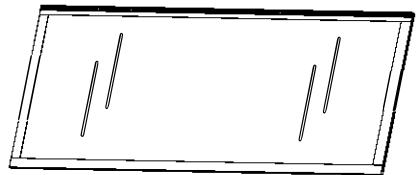
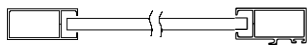
6PCS



Section diagram

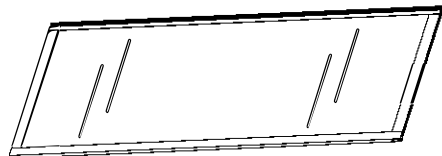
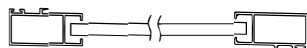


(A)



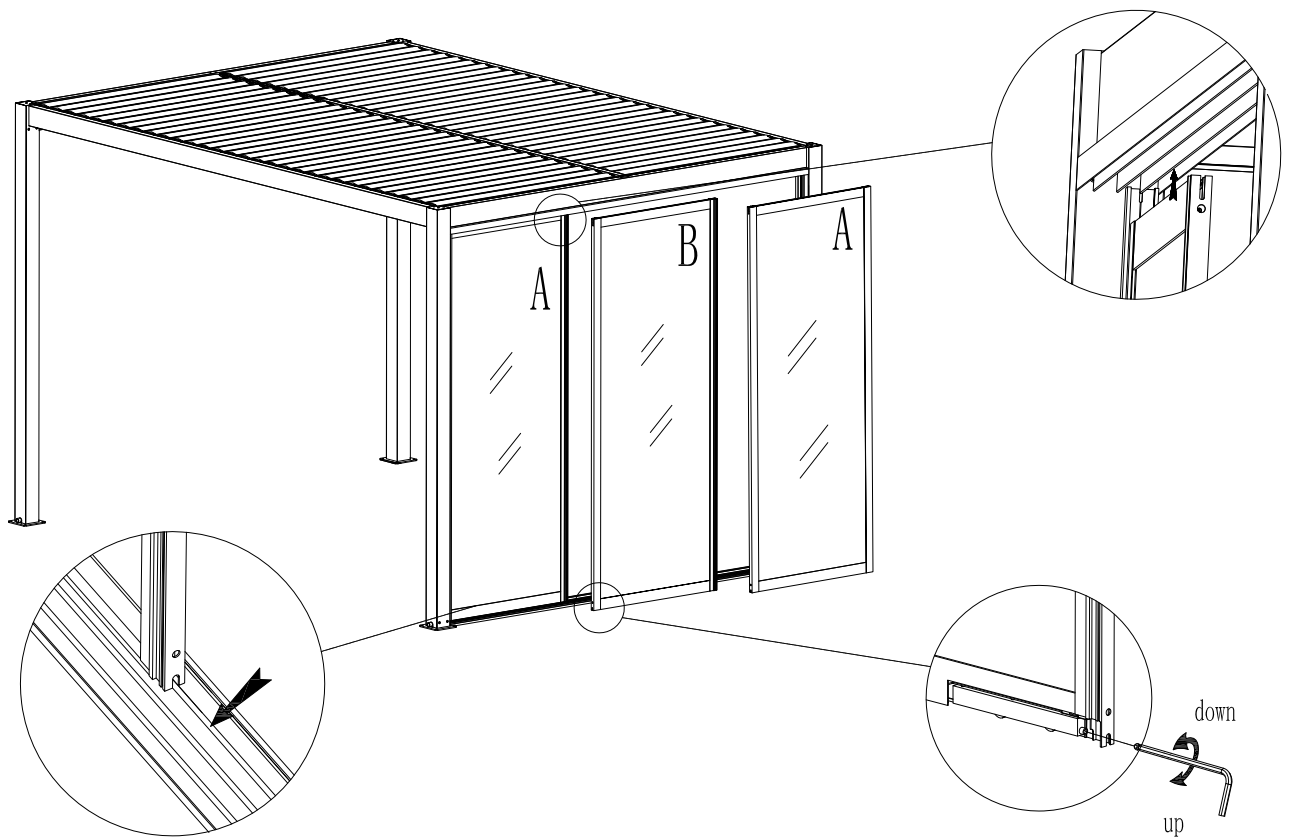
2PCS

(B)

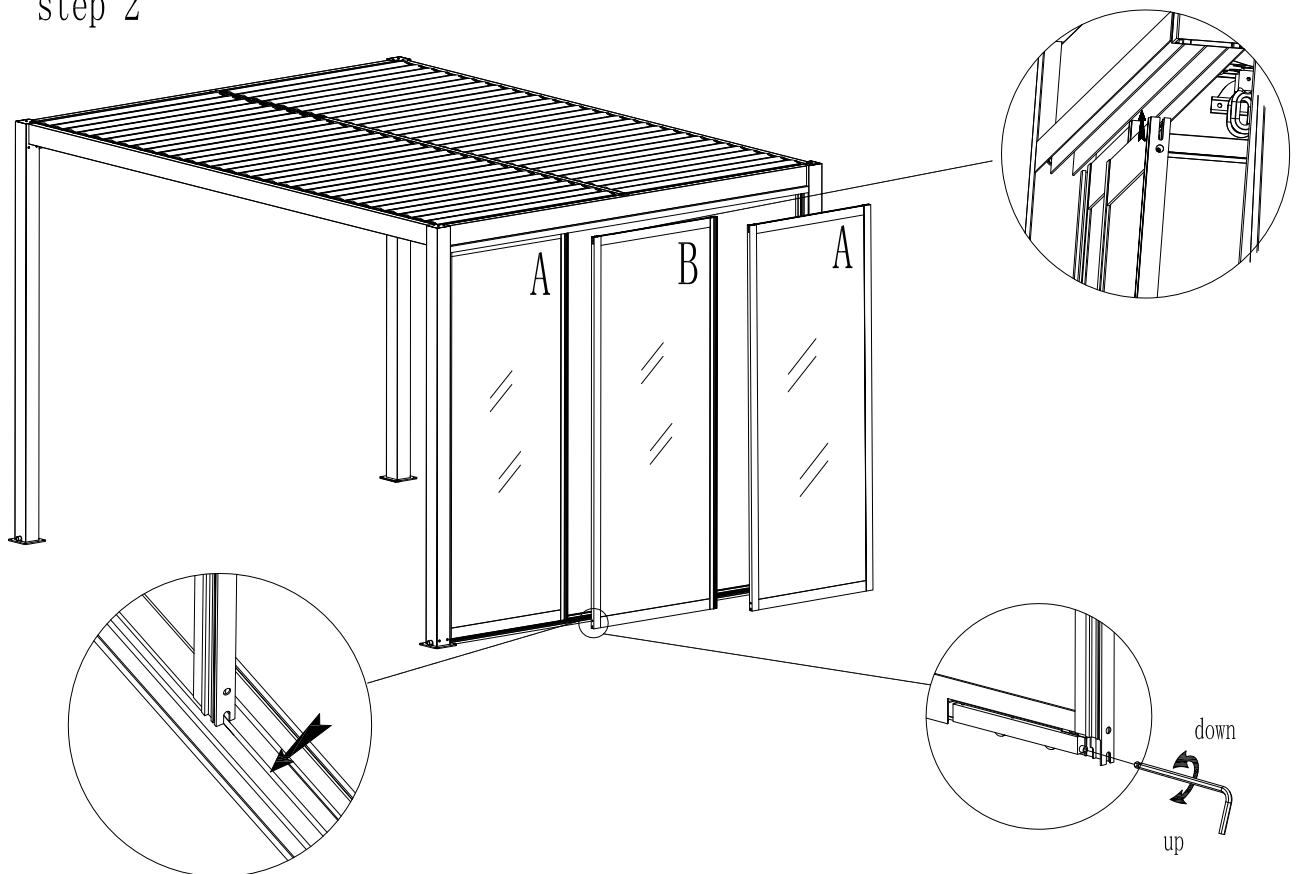


1PCS

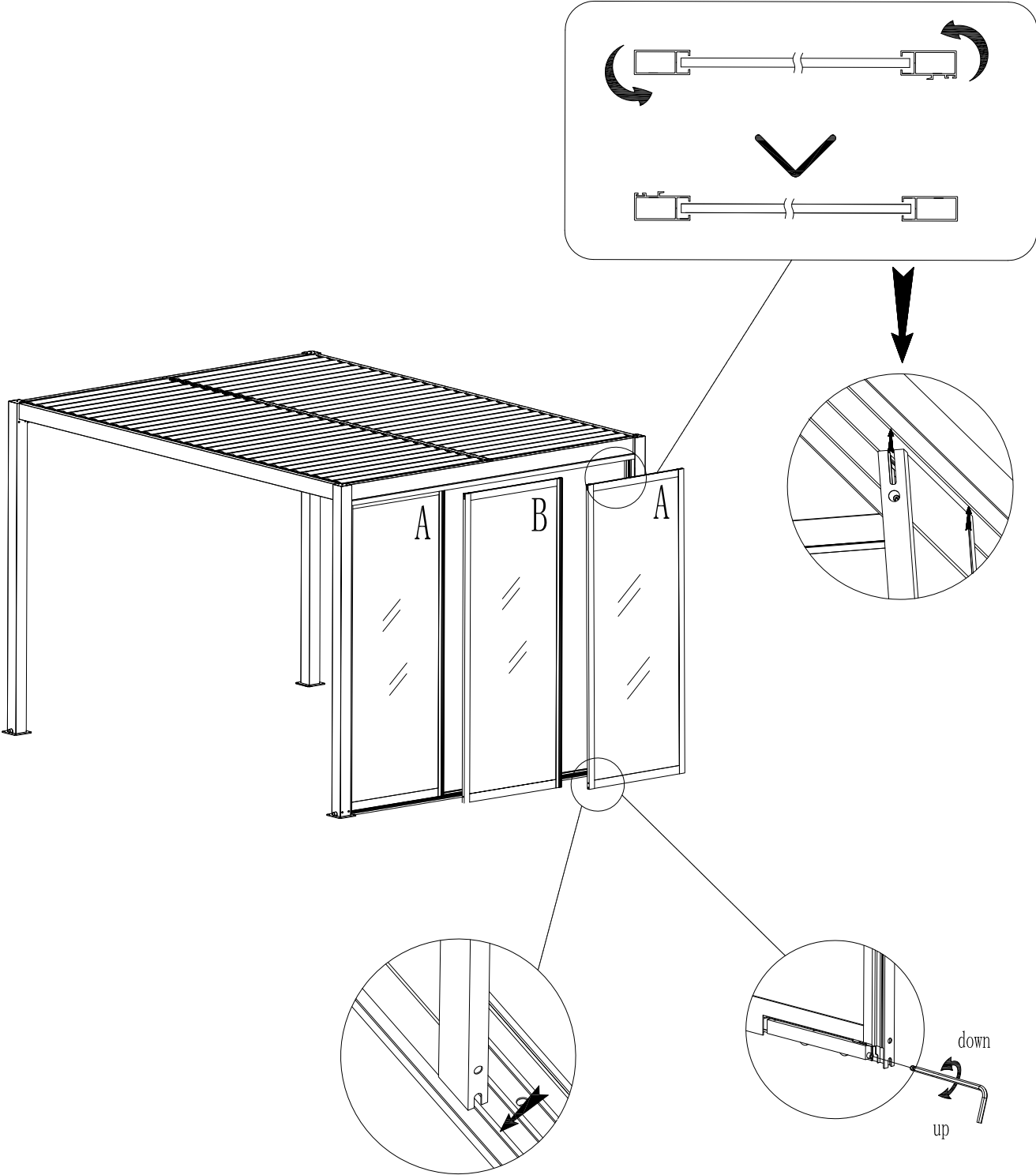
step 1

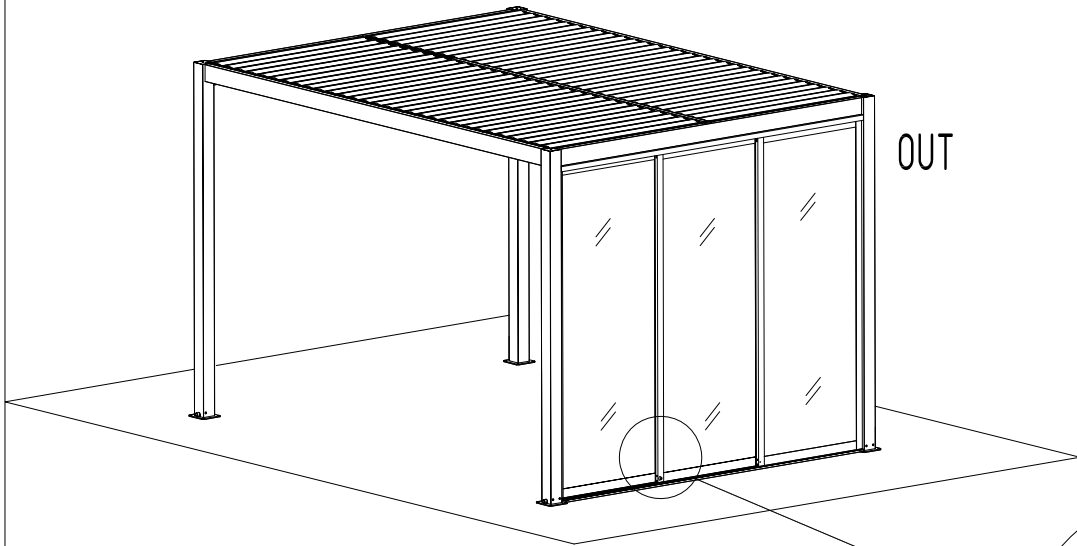


step 2

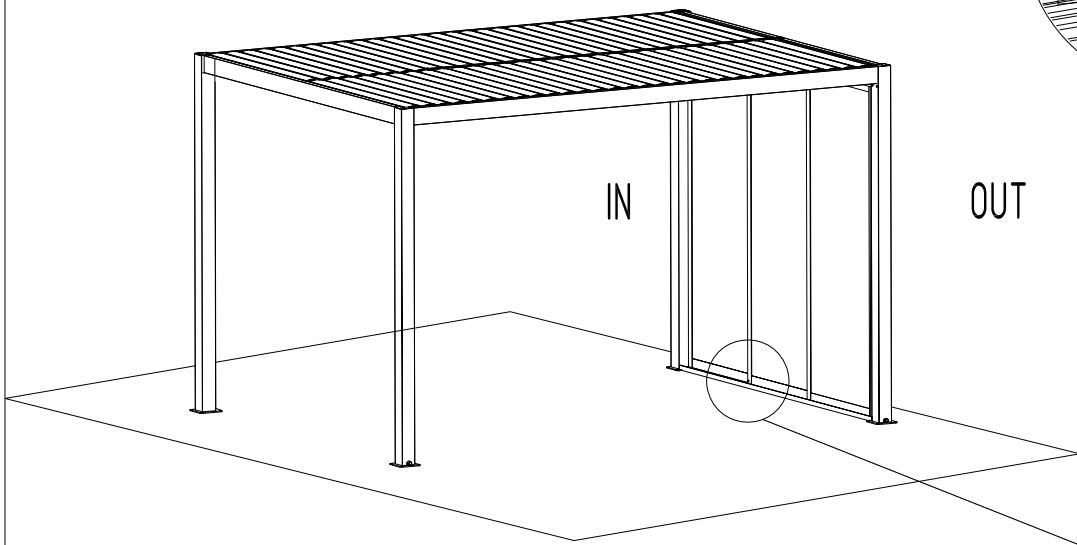
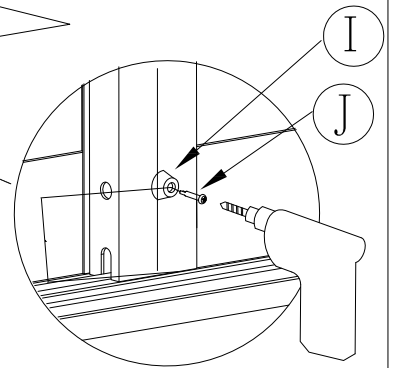


step 3



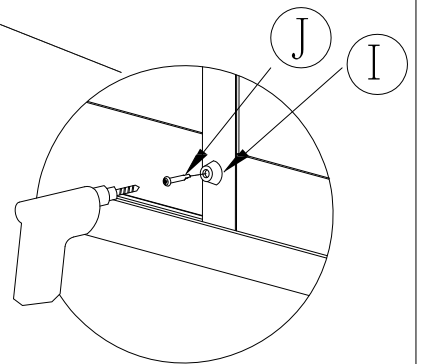



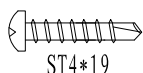
OUT

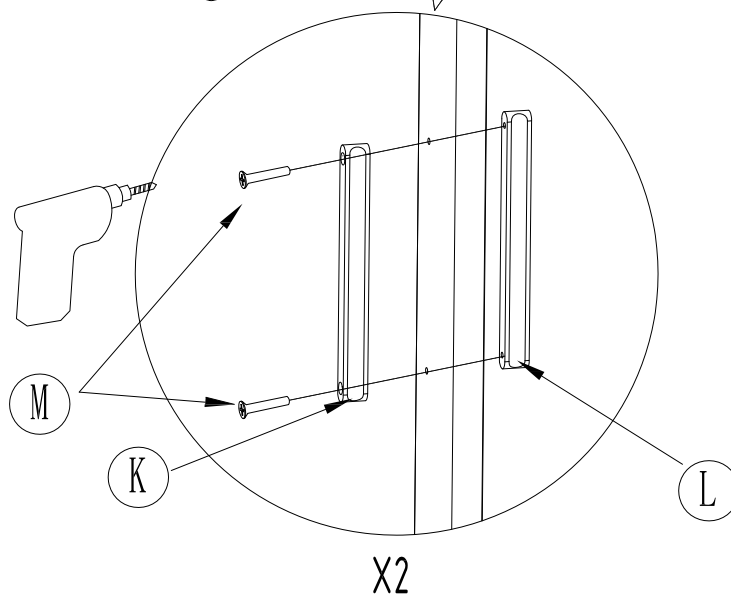
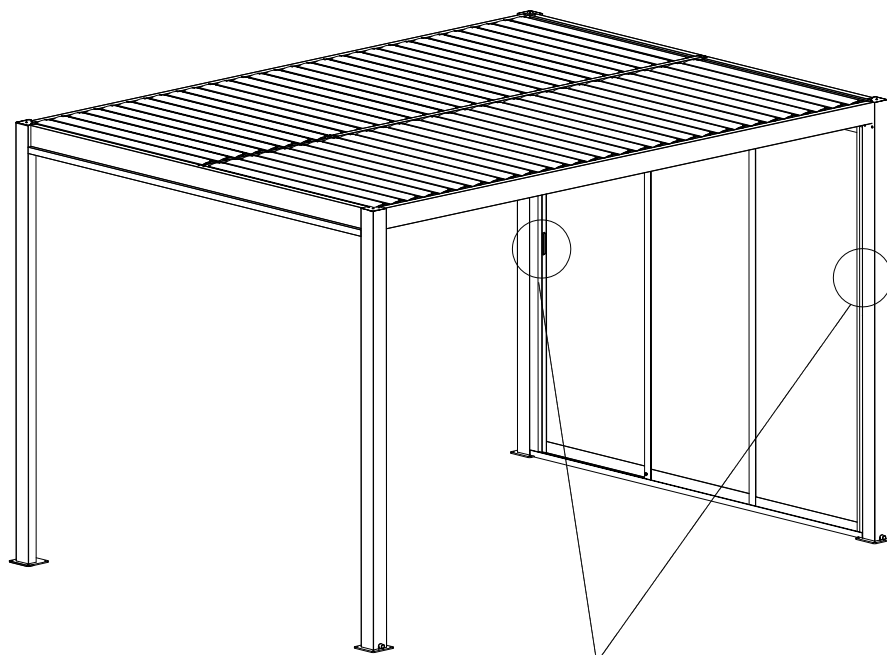


IN

OUT



I		2PCS	J		2PCS
ST4*19					



(K)



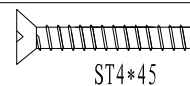
2PCS

(L)



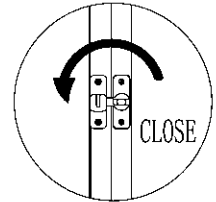
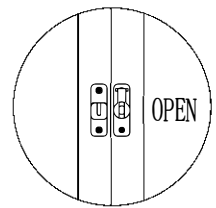
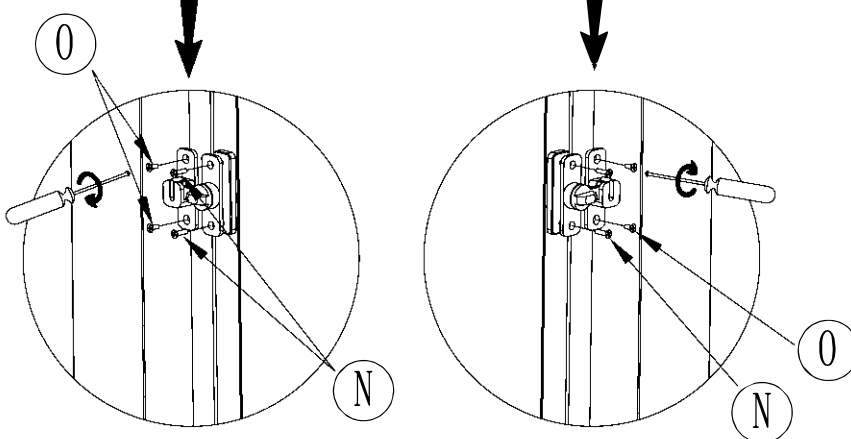
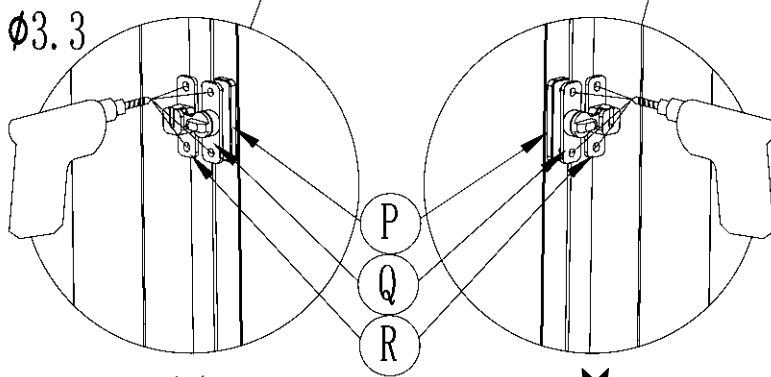
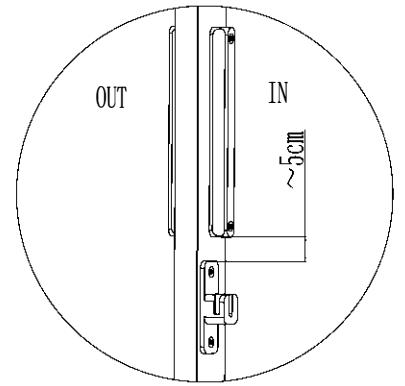
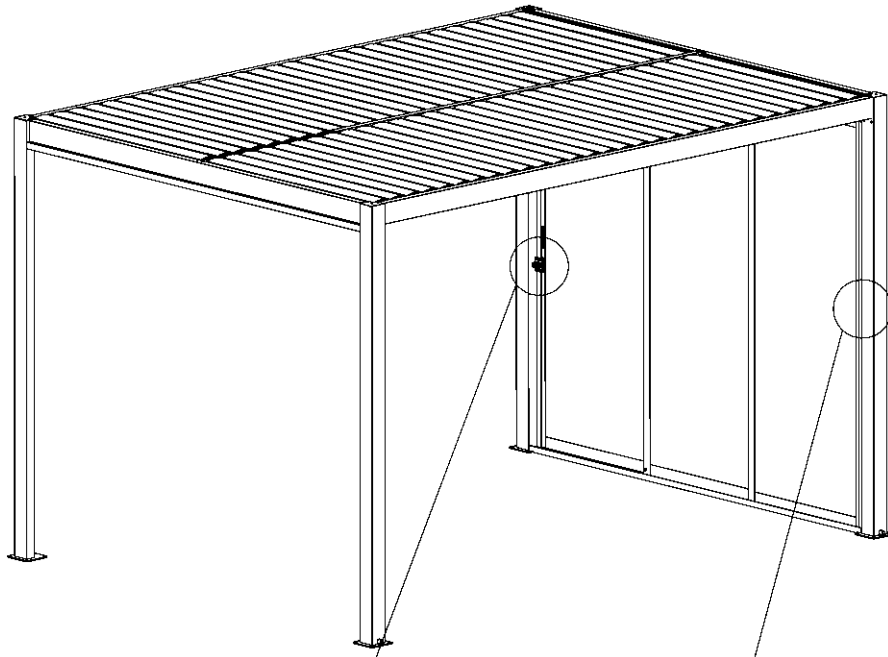
2PCS



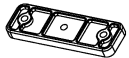
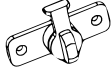

(M)



ST4\*45

QTY: 4PCS



N		4PCS	O		4PCS	P		2PCS
Q		2PCS	R		2PCS			

## Contact information

Austria



Belgium



Croatia



Denmark



Estonia



Finland



France



Germany



Ireland



Italy



Latvia



Lithuania



Nederland



Norway



Poland



Portugal



Spain



Sweden



Switzerland



UK

